



ZEISS Interlock 2.8/18



Features

- 100° angular field with highest optical performance
- Precise manual focusing
- Robust full-metal construction
- Continuous aperture setting or click stop
- For industrial cameras up to sensor sizes of 24x36 mm or 41mm line sensors
- Features special screws to fix focus and aperture settings even in rough situations
- High contrast over the entire image field

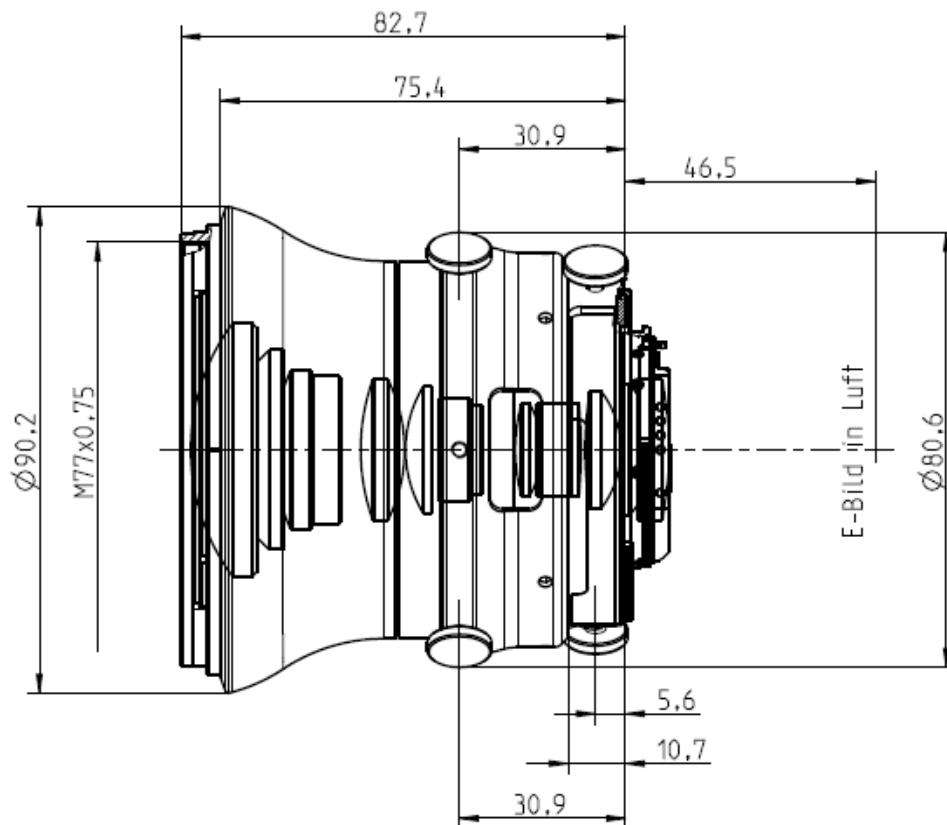
Camera Mounts

Available with F mount or M42 screw mount



ZEISS Interlock 2.8/18

Technical Specifications



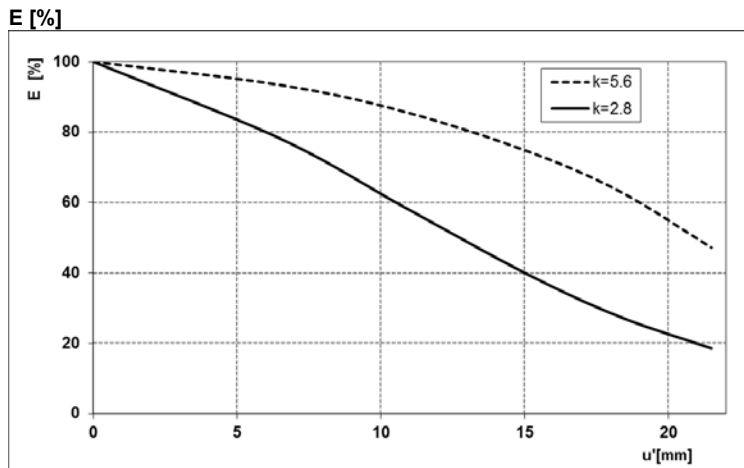
| | |
|---|---|
| Focal length | 18 mm |
| Aperture range | f/2.8 – f/22 (1/2 stop intervals or continuous) |
| Number of elements / groups | 14/12 |
| Min. working distance (object to sensor) | 250 mm (0.82 ft.) - ∞ |
| Min. free working distance | 120 mm (0.39 ft.) - ∞ |
| Angular field* (diag. / horiz. / vert.) | 99,9 / 89,4 / 66,5° |
| Max. diameter of image field | 43 mm (1.7") |
| Flange focal length | F-Mount: 46.5 mm (1.8"); M42-Mount: 45,5 mm |
| Coverage at close range | 274 x 180 mm (10.8 x 7.1") line 318 mm (12.5") |
| Image ratio at close range | 1:7.4 |
| Filter-thread | M 77 x 0.75 |
| Weight | 722 g (1.59 lbs.) |
| Camera mount | F bayonet, M42 |

* referring to 35 mm format



ZEISS Interlock 2.8/18

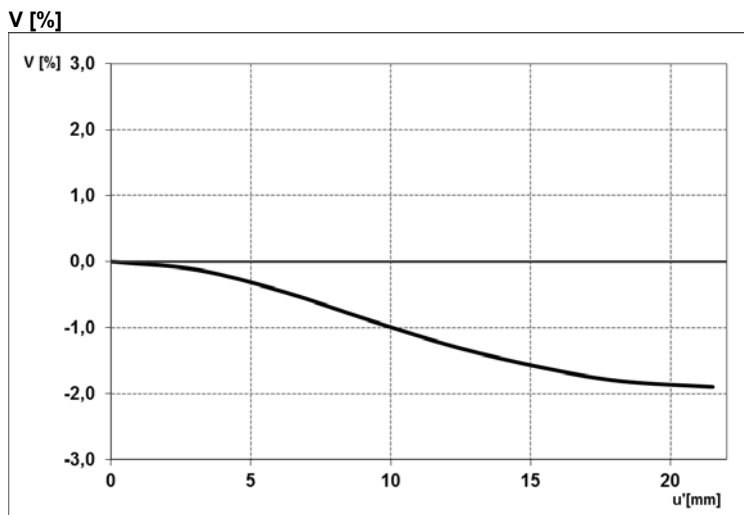
Relative Illuminance*



The relative illumination shows the decrease in image brightness from the image center to the edge in percent.

— f-number = 2.8
... f-number = 5.6

Relative Distortion*



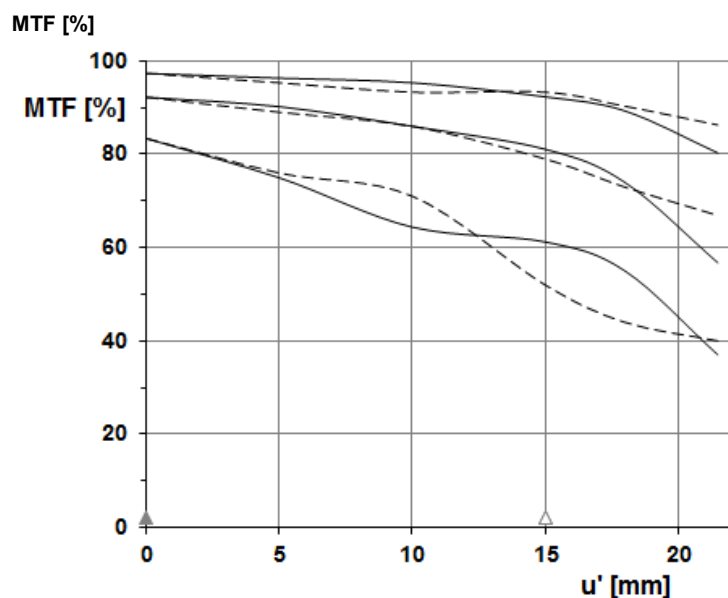
The relative distortion shows in percent the deviation of the actual from the ideal image height.

*Data for infinite focus setting



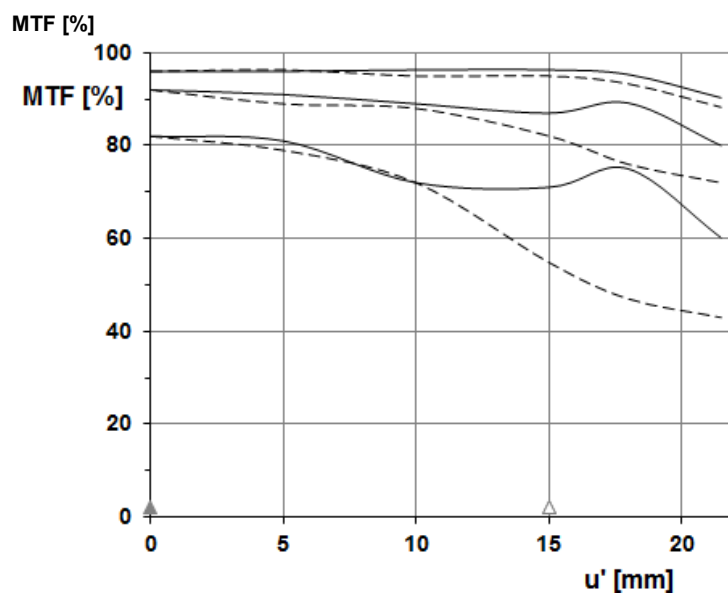
ZEISS Interlock 2.8/18

MTF Charts*



Modulation transfer MTF as a function of the image height (u') and slit orientation. White light. Spatial frequencies $R=10, 20$ and 40 cycles/mm.

f-number 2.8
— Saggital
... Tangential



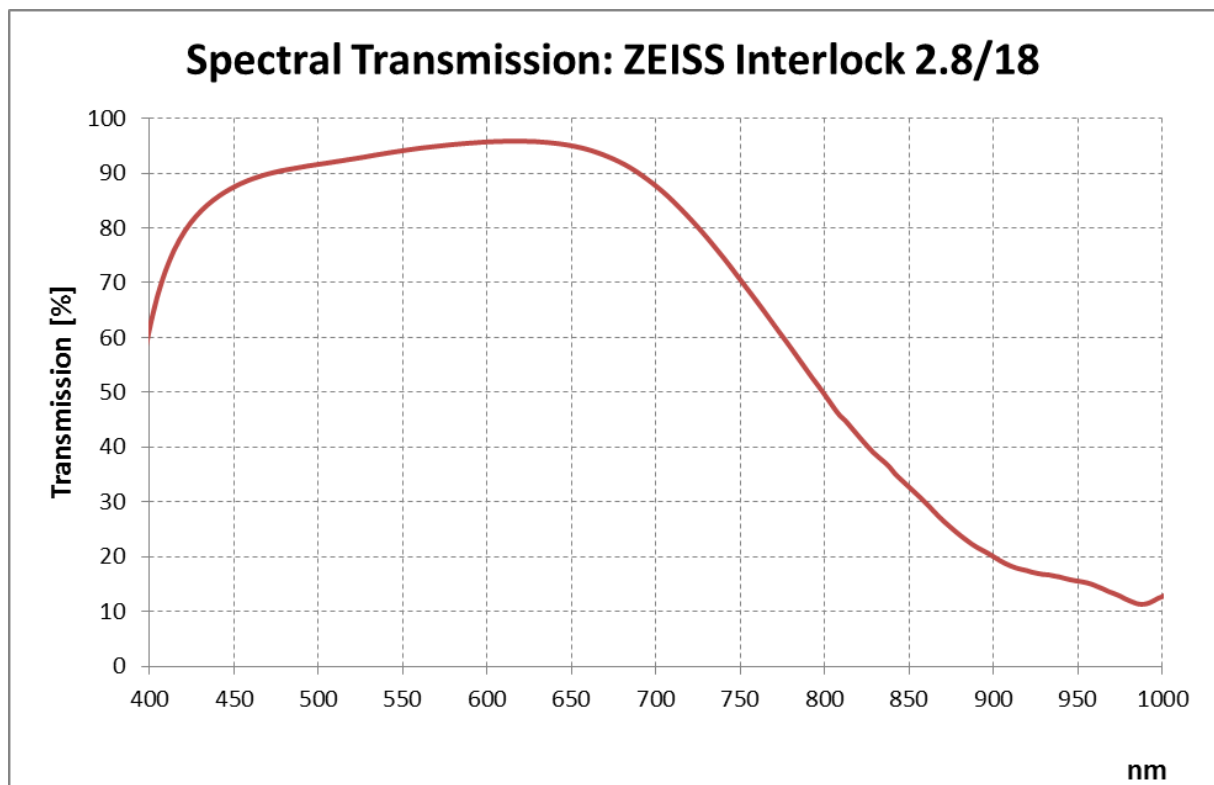
f-number 5.6
— Saggital
... Tangential

*Data for infinite focus setting



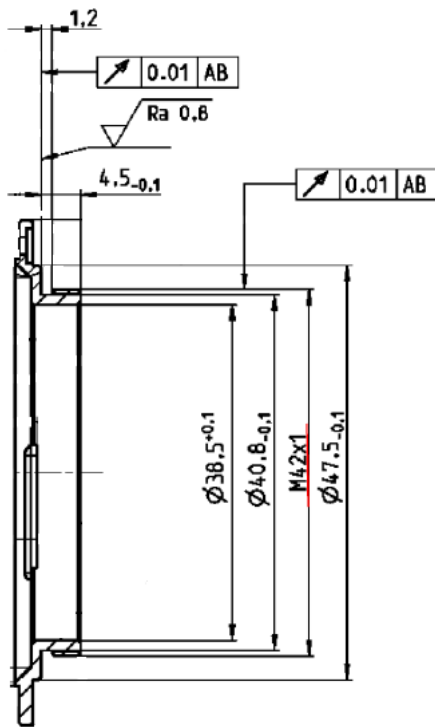
ZEISS Interlock 2.8/18

Spectral Transmission





ZEISS Interlock 2.8/18



M42 Mount for 45,5 mm Flange Focal Distance

The diameter of the camera/lens adapter must not exceed 55 mm at the lens side!